

# PXie Series High Performance Industrial Printer - Configuration Guide



**PX4ie**  
4-inch



**PX6i**  
6-inch

**PX4ie – 203DPI**

PX4E010000005120 PX4E, LCD, Universal firmware, Ethernet, USB, Serial, Label Taken Sensor + Self Strip, Real Time Clock, Direct Thermal and Thermal Transfer, 203DPI, No Power Cord

**PX4ie – 300DPI**

PX4E010000005130 PX4E, LCD, Universal firmware, Ethernet, USB, Serial, Label Taken Sensor + Self Strip, Real Time Clock, Direct Thermal and Thermal Transfer, 300DPI, No Power Cord

**PX4ie – 406DPI**

PX4E010000005140 PX4E, LCD, Universal firmware, Ethernet, USB, Serial, Label Taken Sensor + Self Strip, Real Time Clock, Direct Thermal and Thermal Transfer, 406DPI, No Power Cord

**Honeywell Repair Services**

SVCPX4-5FC3 PX4i, PLUS, 5 Day Turnaround, 3 Year, Day One

**PX6ie – 203DPI**

PX6E010000001120 PX6E, LCD, Universal firmware, Ethernet, USB, Serial, Label Taken Sensor + Self Strip, Real Time Clock, Direct Thermal and Thermal Transfer, 203DPI, No Power Cord

**PX6ie – 300DPI**

PX6E010000001130 PX6E, LCD, Universal firmware, Ethernet, USB, Serial, Label Taken Sensor + Self Strip, Real Time Clock, Direct Thermal and Thermal Transfer, 300DPI, No Power Cord

**Honeywell Repair Services**

SVCPX6-5FC3 PX6i, PLUS, 5 Day Turnaround, 3 Year, Day One

## PXie Series High Performance Industrial Printer - Configuration Guide



**PX4ie**  
4-inch



**PX6ie**  
6-inch

**PX4ie – Cutter – 203DPI**

PX4E010000003120 PX4E, LCD, Universal firmware, Ethernet, USB, Serial, Label Taken Sensor + Self Strip, Real Time Clock, Direct Thermal and Thermal Transfer, 203DPI, No Power Cord

**PX4ie – Cutter – 300DPI**

PX4E010000003130 PX4E, LCD, Universal firmware, Ethernet, USB, Serial, Label Taken Sensor + Self Strip, Real Time Clock, Direct Thermal and Thermal Transfer, 300DPI, No Power Cord

**PX4ie – Cutter – 406DPI**

PX4E010000003140 PX4E, LCD, Universal firmware, Ethernet, USB, Serial, Label Taken Sensor + Self Strip, Real Time Clock, Direct Thermal and Thermal Transfer, 406DPI, No Power Cord

**Honeywell Repair Services**

SVCPX4-5FC3 PX4i, PLUS, 5 Day Turnaround, 3 Year, Day One

**PX6ie – Cutter – 203DPI**

PX6E010000003120 PX6E, LCD, Universal firmware, Ethernet, USB, Serial, Label Taken Sensor + Self Strip, Real Time Clock, Direct Thermal and Thermal Transfer, 203DPI, No Power Cord

**PX6ie – Cutter – 300DPI**

PX6E010000003130 PX6E, LCD, Universal firmware, Ethernet, USB, Serial, Label Taken Sensor + Self Strip, Real Time Clock, Direct Thermal and Thermal Transfer, 300DPI, No Power Cord

**Honeywell Repair Services**

SVCPX6-5FC3 PX6i, PLUS, 5 Day Turnaround, 3 Year, Day One

# PXie Series High Performance Industrial Printer - Configuration Map

Version	Firmware	Connectivity	I/O Option	I/O Option	Memory	Media Option	Media Option	RTC Option	Print Option	Description	Notes
PX											
4E										4-inch	
6E										6-inch	
	0									Universal Firmware	Fingerprint (FP), Direct Protocol (DP), IPL, ZSim2 (ZPL-II), DPL XML enabled for SAP® All and Oracle® WMS
		1								Ethernet, USB, Serial	
		2								USB + Serial + Ethernet + Wi-Fi (NA)	Available as kit – Part# 50147002-001, KIT Wireless LAN (North America)
		3								USB + Serial + Ethernet + Wi-Fi (ROW)	Available as kit – Part# 50147002-002, KIT Wireless LAN (Rest Of World)
			00							None	
			10							Parallel	Available as kit – Part# 50147017-001, KIT, IEEE 1284 Interface, PX REFRESH
			02							UHF RFID EU	PX4E - Available as kit – Part# 50147010-001, KIT RFID, 869MHZ, PX4I REFRESH, EU PX6E - Available as kit – Part# 50147012-001, KIT RFID, 869MHZ, PX6I REFRESH, EU
			14							UHF RFID US	PX4E - Available as kit – Part# 50147009-001, KIT RFID, 915MHZ, PX4I REFRESH, NA PX6E - Available as kit – Part# 50147011-001, KIT RFID, 915MHZ, PX6I REFRESH, NA
				00						None	
					0					128 MB Flash memory, 256 MB DDR2 SDRAM	
						0				Rotating Unwinding Media Hanger	
							0			None	
								1		Rewinder, Self-Strip + Label Taken Sensor (LTS)	PX6E
									3	Cutter	PX4E - Available as kit – Part# 1-041574-900, KIT CUTTER, PX4I REFRESH PX6E - Available as kit – Part# 1-041584-900, KIT CUTTER, PX6I REFRESH
									5	Rewinder, Enhanced Self-Strip + Label Taken Sensor (LTS)	Enhanced Self-Strip option for PX4E
									1	Real Time Clock (RTC)	
									20	203 DPI	PX4E - Available as kit – Part# 1-040082-900, THERMAL PH ASSY 203 DPI PX4I PX6E - Available as kit – Part# 1-040084-900, THERMAL PH ASSY 203 DPI PX6I
									30	300 DPI	PX4E - Available as kit – Part# 1-040083-900, THERMAL PH ASSY 300 DPI PX4I PX6E - Available as kit – Part# 1-040085-900, THERMAL PH ASSY 300 DPI PX6I
									40	406 DPI	PX4E - Available as kit – Part# 850-812-900, THERMAL PH ASSY 406 DPI PX4I



## Honeywell Repair Services

### PX4ie – Repair Services

For Best-In-Class Service

With Honeywell Repair Services, it's easy to get the level of repair coverage and protection that makes the most sense for your business. And our repair services are now available in over 70 countries with global pricing and global standards of quality.

Choose from one of our new cost-effective Repair Service contract programs – Complete, Plus or Basic – to get the right amount of coverage and protection you need for your durable, rugged and ultra-rugged products. And for equipment not covered by a contract service plan, you can choose from our Non-Contract Repair Service offerings, which include flat-rate repairs, time-and-materials repairs and more.

Ensure business continuity, workflow performance and protection of your technology investments with Honeywell Repair Services.

#### Plus Repair Services

Protect your technology investment! With Honeywell's 3 and 5 year Plus comprehensive repair services plan, you won't incur any additional costs beyond the plan enrollment for service on covered devices and eligible accessories included with equipment sent to the depot for service. Eligible accessories include damaged styluses, battery-door covers, screen protectors, hand straps and clips.

##### Service Overview

- Features and benefits include:
  - Comprehensive coverage – including device replacement for rugged or stationary products
  - Day One multi-year pricing for lower annualized costs
  - Three years of locked-in service-price protection, with optional renewals
  - Options for 2-day and 5-day service levels
  - Cleaning and preventive maintenance
  - Telephone-based technical support
  - Convenient online Return Authorization requests and access to online service-history reports

#### Complete Repair Services

The only contract you will ever need! With Honeywell's 3 and 5 year Complete comprehensive repair services plan, one contract covers it all – device, power management and accessories. Eligible accessories and power management for mobile computers include: batteries, docks, chargers, cradles, cables, damaged styluses, battery-door covers, screen protectors, hand straps and clips.

##### Service Overview

- Features and benefits include:
  - Comprehensive coverage – including device replacement for rugged or stationary products
  - Coverage for power management and select accessories
  - Day One multi-year pricing for lower annualized costs
  - Five years of locked-in service-price protection
  - Options for overnight and 2-day or 5-day service levels
  - Cleaning and preventive maintenance
  - Telephone-based technical support
  - Convenient online Return Authorization requests and access to online service-history reports

Part#	Description
SVCPX4-5FC3	PX4i, PLUS, 5 Day Turnaround, 3 Year Day One
SVCPX4-5FC5	PX4i, PLUS, 5 Day Turnaround, 5 Year, Day One
SVCPX4-2FC3	PX4i, PLUS, 2 Day Turnaround, 3 Year, Day One
SVCPX4-2FC5	PX4i, PLUS, 2 Day Turnaround, 5 Year, Day One

Part#	Description
SVCPX4-5PS3	PX4i, COMPLETE, 5 Day Turnaround, 3 Year, Day One Includes 1 Printhead, Platen Rollers, Cutters and Replacement Printers (APAC Only)
SVCCPX4-2PS5	PX4i, COMPLETE, 2 Day Turnaround, 5 Year, Day One Includes 2 Printheads, Platen Rollers, Cutters and Replacement Printers

## Honeywell Repair Services

### PX6ie – Repair Services

For Best-In-Class Service

With Honeywell Repair Services, it's easy to get the level of repair coverage and protection that makes the most sense for your business. And our repair services are now available in over 70 countries with global pricing and global standards of quality.

Choose from one of our new cost-effective Repair Service contract programs – Complete, Plus or Basic – to get the right amount of coverage and protection you need for your durable, rugged and ultra-rugged products. And for equipment not covered by a contract service plan, you can choose from our Non-Contract Repair Service offerings, which include flat-rate repairs, time-and-materials repairs and more.

Ensure business continuity, workflow performance and protection of your technology investments with Honeywell Repair Services.

#### Plus Repair Services

Protect your technology investment! With Honeywell's 3 and 5 year Plus comprehensive repair services plan, you won't incur any additional costs beyond the plan enrollment for service on covered devices and eligible accessories included with equipment sent to the depot for service. Eligible accessories include damaged styluses, battery-door covers, screen protectors, hand straps and clips.

##### Service Overview

- Features and benefits include:
  - Comprehensive coverage – including device replacement for rugged or stationary products
  - Day One multi-year pricing for lower annualized costs
  - Three years of locked-in service-price protection, with optional renewals
  - Options for 2-day and 5-day service levels
  - Cleaning and preventive maintenance
  - Telephone-based technical support
  - Convenient online Return Authorization requests and access to online service-history reports

#### Complete Repair Services

The only contract you will ever need! With Honeywell's 3 and 5 year Complete comprehensive repair services plan, one contract covers it all – device, power management and accessories. Eligible accessories and power management for mobile computers include: batteries, docks, chargers, cradles, cables, damaged styluses, battery-door covers, screen protectors, hand straps and clips.

##### Service Overview

- Features and benefits include:
  - Comprehensive coverage – including device replacement for rugged or stationary products
  - Coverage for power management and select accessories
  - Day One multi-year pricing for lower annualized costs
  - Five years of locked-in service-price protection
  - Options for overnight and 2-day or 5-day service levels
  - Cleaning and preventive maintenance
  - Telephone-based technical support
  - Convenient online Return Authorization requests and access to online service-history reports

Part#	Description
SVCPX6-5FC3	PX6i, PLUS, 5 Day Turnaround, 3 Year Day One
SVCPX6-5FC5	PX6i, PLUS, 5 Day Turnaround, 5 Year, Day One
SVCPX6-2FC3	PX6i, PLUS, 2 Day Turnaround, 3 Year, Day One
SVCPX6-2FC5	PX6i, PLUS, 2 Day Turnaround, 5 Year, Day One

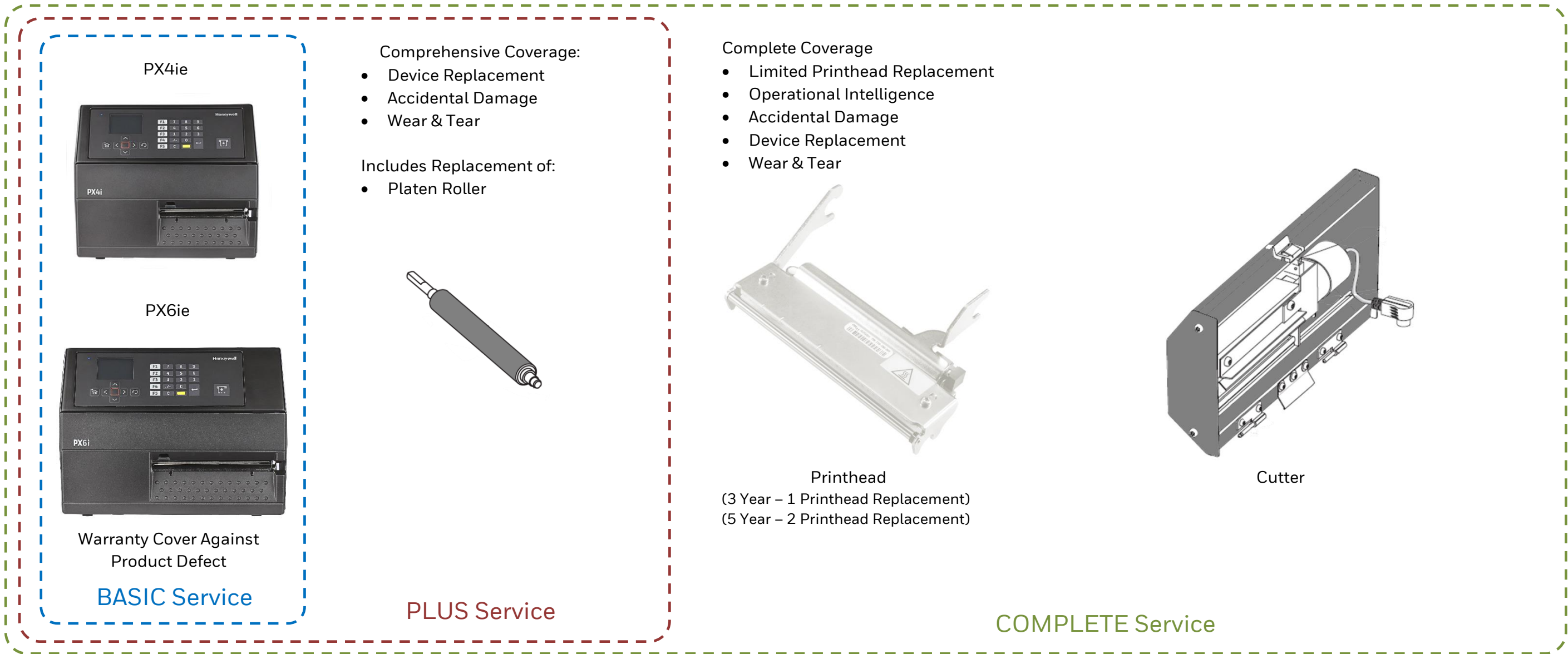
Part#	Description
SVCPX6-5PS3	PX6i, COMPLETE, 5 Day Turnaround, 3 Year, Day One Includes 1 Printhead, Platen Rollers, Cutters and Replacement Printers (APAC Only)
SVCCPX6-2PS5	PX6i, COMPLETE, 2 Day Turnaround, 5 Year, Day One Includes 2 Printheads, Platen Rollers, Cutters and Replacement Printers



# Honeywell Repair Services

## PXie Series – Repair Services

For Best-In-Class Service



Part#	Description
SVCPX4-EXW2	PX4i, BASIC, 10-15 Day Turnaround, 2 Years (1 Year Factory Warranty + 1 Year Extended)
SVCPX4-5FC3	PX4i, PLUS, 5 Day Turnaround, 3 Year Day One
SVCPX4-5PS3	PX4i, COMPLETE, 5 Day Turnaround, 3 Year, Day One Includes 1 Printhead, Platen Rollers and Replacement Printers

Part#	Description
SVCPX6-EXW2	PX6i, BASIC, 10-15 Day Turnaround, 2 Years (1 Year Factory Warranty + 1 Year Extended)
SVCPX6-5FC3	PX6i, PLUS, 5 Day Turnaround, 3 Year Day One
SVCPX6-5PS3	PX6i, COMPLETE, 5 Day Turnaround, 3 Year, Day One Includes 1 Printhead, Platen Rollers and Replacement Printers

# PXie Series High Performance Industrial Printer

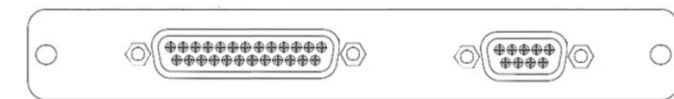
## PXie Series – Connectivity

Expand your I/O with additional cards.

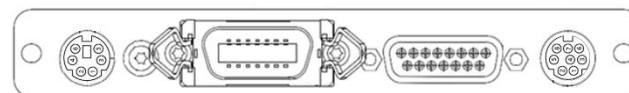
Part#	Description
50147002-001	KIT Wireless LAN (North America)
50147002-002	KIT Wireless LAN (Rest Of World)



Part#	Description
50147018-001	KIT, DUART Interface RS232+RS232 (Adds another two DB9 Serial Ports)



Part#	Description
50147019-001	UART Industrial Interface Card (Adds DB25 Industrial Interface for controlling I/O and DB9 Serial port)



Part#	Description
50147001-001	Applicator Interface Card This option board contains 4 connectors for a Z-Style Port (D-Sub 15-pin), an S-Style Port (SCSI 14 Pin), an External Power Port (Mini-DIN 6-Pin), and an External Error Port (Mini-DIN 8-Pin).



Part#	Description
50147017-001	KIT, PARALLEL PORT (Adds IEEE1284 Parallel Port) Use with Part# 1-974022-018 Parallel Cable



## PXie Series High Performance Industrial Printer

### PXie Series – Accessories

The PXie Series auto detects the printhead, therefore you can simply swap between 203, 300 and 406dpi \*



Part#	Description
1-040082-900	KIT, PRINthead 203DPI, PX4i
1-040083-900	KIT, PRINthead 300DPI, PX4i
850-812-900	KIT, PRINthead 406DPI, PX4i
1-040084-900	KIT, PRINthead 203DPI, PX6i
1-040085-900	KIT, PRINthead 300DPI, PX6i



Part#	Description
1-110501-00	Cleaning Card, 4.5"x6", box of 25



Part#	Description
321-576-004	USB (USB-A to USB-B) cable, 6.5 ft. (2 m) length



Part#	Description
1-974024-018	RS-232 (DB9F to DB9M) cable, 5.9 ft. (1.8 m) length



Part#	Description
1-974022-018	Parallel (IEEE 1284) cable, 5.9 ft. (1.8 m) length

\* Please refer to Thermal Printhead Installation Instructions on how to change the printhead.



# PXie Series High Performance Industrial Printer

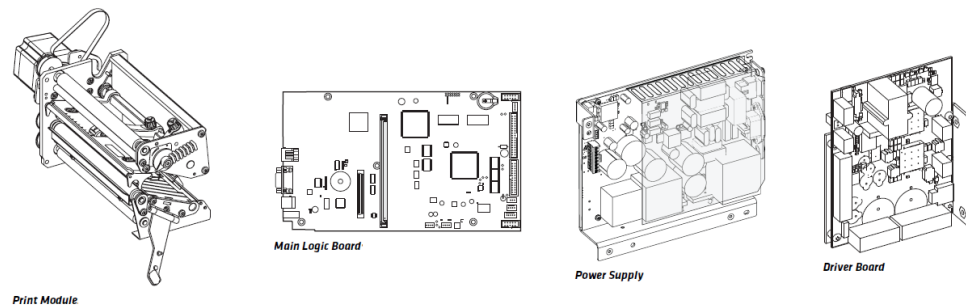
## OEM PX4ie Printer Kit Options (4-inch)

See below the different printing options available:

### PX4i Base Kit 1

All Base 1 Print Kits include:

- Print module with either a 203-dpi or 300-dpi printhead.
- Main logic board for controlling the print hardware and communicating with your controller.
- AC power supply and driver board.



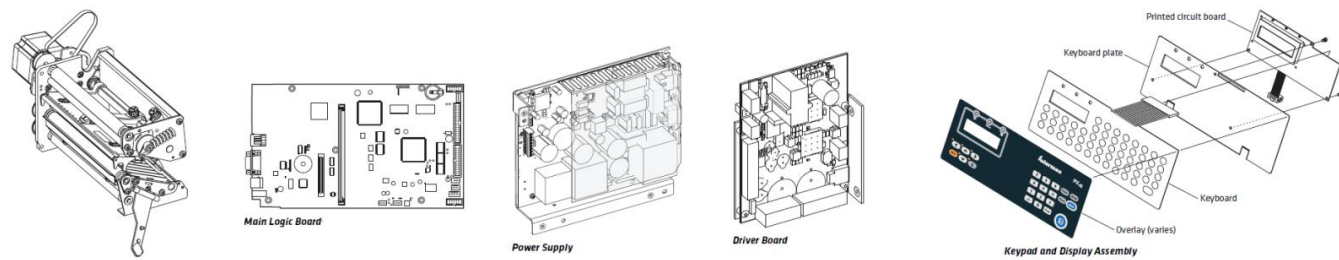
1-PX4653-040 Print Kit PX4 (203DPI) Base 1

1-PX4653-050 Print Kit PX4 (300DPI) Base 1

### PX4i Base Kit 2

All Base 2 Print Kits include:

- Print module with either a 203-dpi or 300-dpi printhead.
- Main logic board for controlling the print hardware and communicating with your controller.
- AC power supply and driver board.
- Keyboard and LCD display for printer messages and information.

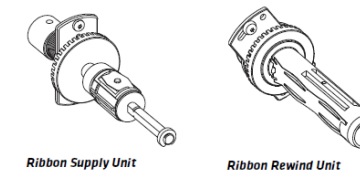


1-PX4653-060 Print Kit PX4 (203DPI) Base 2

1-PX4653-070 Print Kit PX4 (300DPI) Base 2

### Option Kit 1 – PX4i Thermal Transfer

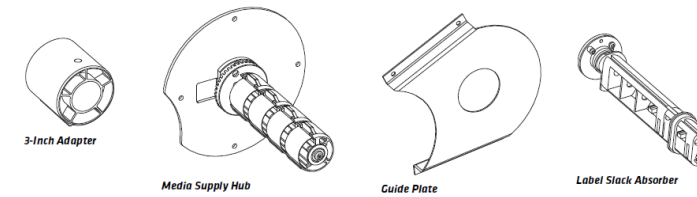
Option Kit 1 includes components for supplying thermal transfer ribbon to the print mechanism.



1-PX4654-000 Option Kit 1 PX4 Thermal Transfer

### Option Kit 2 – PX4i Media Supply Assembly

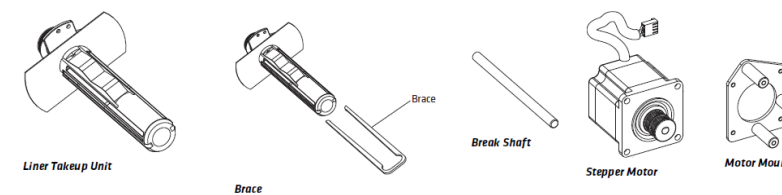
Option Kit 2 includes components for supplying media to the print mechanism.



1-PX4654-010 Option Kit 2 PX4 Media Supply Assembly

### Option Kit 3 – PX4i Self-Strip

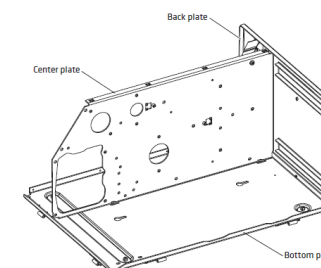
Option Kit 3 includes components for self-strip operation.



1-PX4654-020 Option Kit 3 PX4 Self-Strip

### Option Kit 4 – PX4i Chassis

Option Kit 4 includes chassis parts that are pre-drilled for use with the PX4i Print Kit components. This kit includes center, bottom, and back plates as used in the PX4i printers.



1-PX4654-040 Option Kit 4 PX4 Chassis

# PXie Series High Performance Industrial Printer

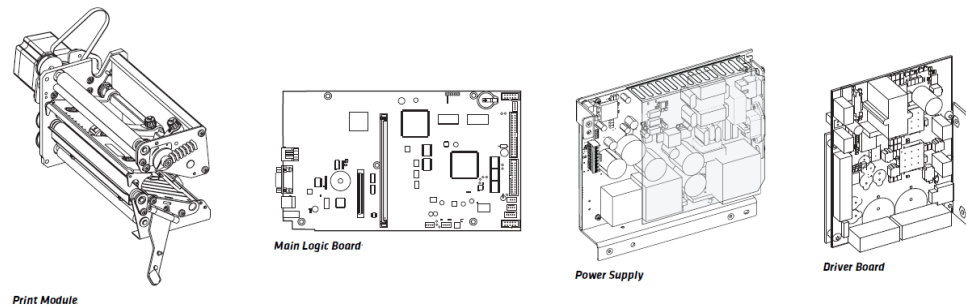
## OEM PX6ie Printer Kit Options (6-inch)

See below the different printing options available:

### PX6i Base Kit 1

All Base 1 Print Kits include:

- Print module with either a 203-dpi or 300-dpi printhead.
- Main logic board for controlling the print hardware and communicating with your controller.
- AC power supply and driver board.



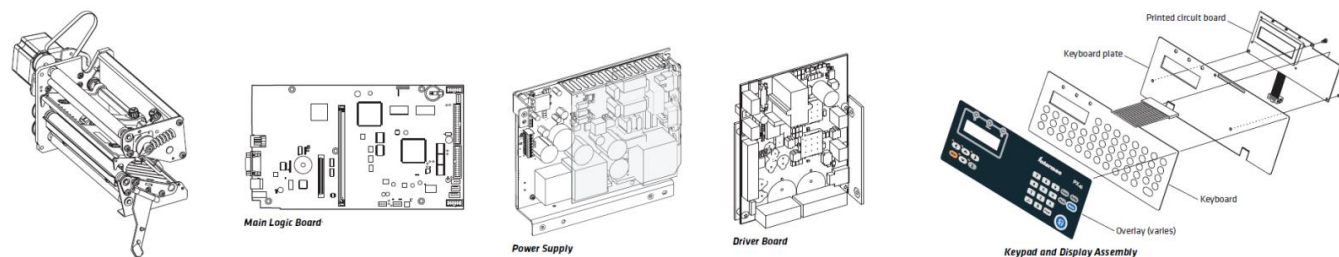
1-PX6653-040 Print Kit PX6 (203DPI) Base 1

1-PX6653-050 Print Kit PX6 (300DPI) Base 1

### PX6i Base Kit 2

All Base 2 Print Kits include:

- Print module with either a 203-dpi or 300-dpi printhead.
- Main logic board for controlling the print hardware and communicating with your controller.
- AC power supply and driver board.
- Keyboard and LCD display for printer messages and information.

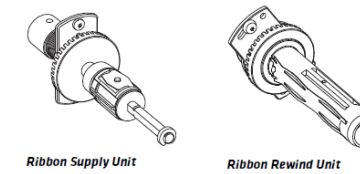


1-PX6653-060 Print Kit PX6 (203DPI) Base 2

1-PX6653-070 Print Kit PX6 (300DPI) Base 2

### Option Kit 1 – PX6i Thermal Transfer

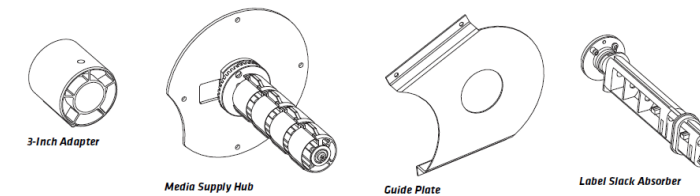
Option Kit 1 includes components for supplying thermal transfer ribbon to the print mechanism.



1-PX6654-000 Option Kit 1 PX6 Thermal Transfer

### Option Kit 2 – PX6i Media Supply Assembly

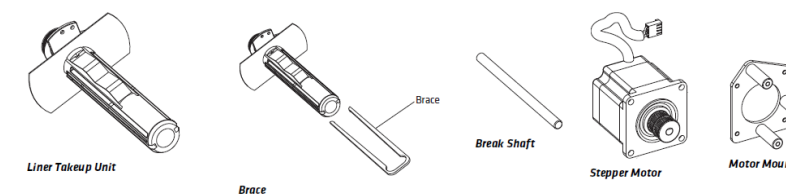
Option Kit 2 includes components for supplying media to the print mechanism.



1-PX6654-010 Option Kit 2 PX6 Media Supply Assembly

### Option Kit 3 – PX6i Self-Strip

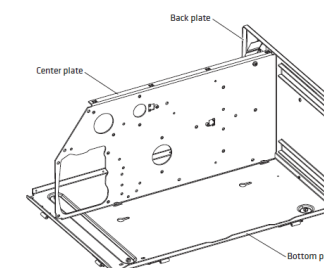
Option Kit 3 includes components for self-strip operation.



1-PX6654-020 Option Kit 3 PX6 Self-Strip

### Option Kit 4 – PX6i Chassis

Option Kit 4 includes chassis parts that are pre-drilled for use with the PX6i Print Kit components. This kit includes center, bottom, and back plates as used in the PX6i printers.



1-PX6654-040 Option Kit 4 PX6 Chassis

# PXie Series High Performance Industrial Printer

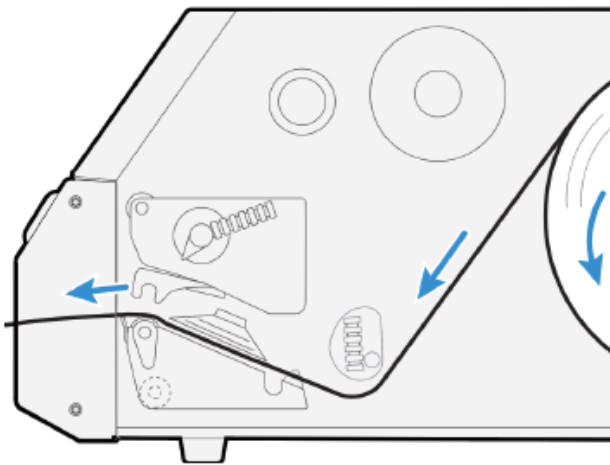
## PXie – Printing Options

See below the different printing options available:

### Tear Off

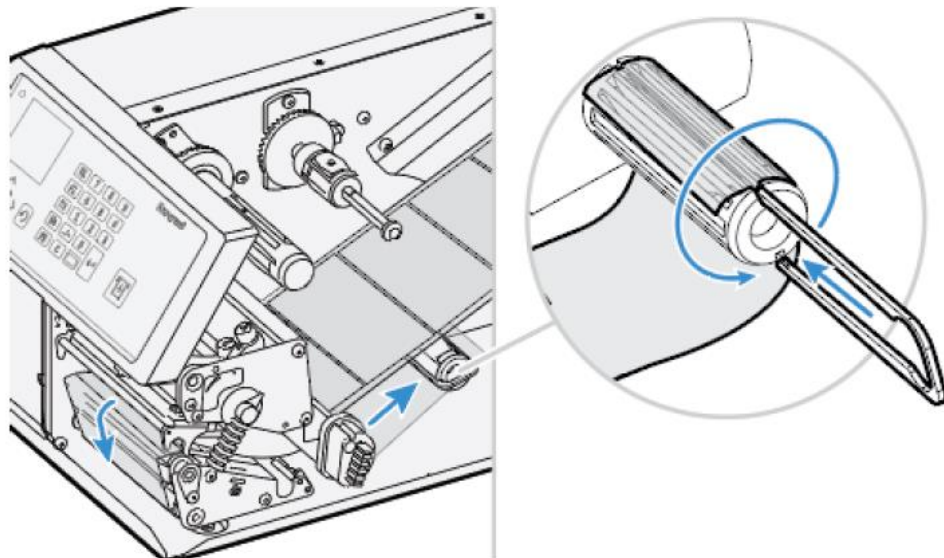
Most commonly used, print any number of labels and simply tear the labels off from the printer at the end of the print job.

Media Path



### Peel and Present

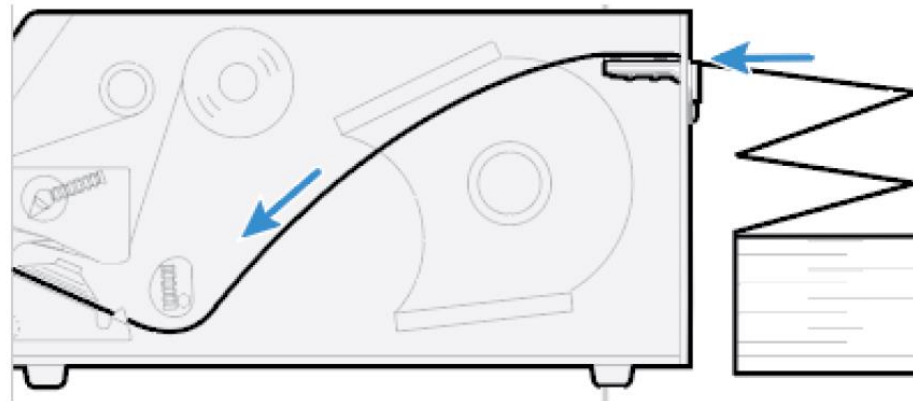
Peels the label from the liner as it is printed and presents the label to the user one a time. Printing is halted after each label until the user remove the label. Requires Rewinder, Peel Off + Label Taken Sensor (LTS) option.



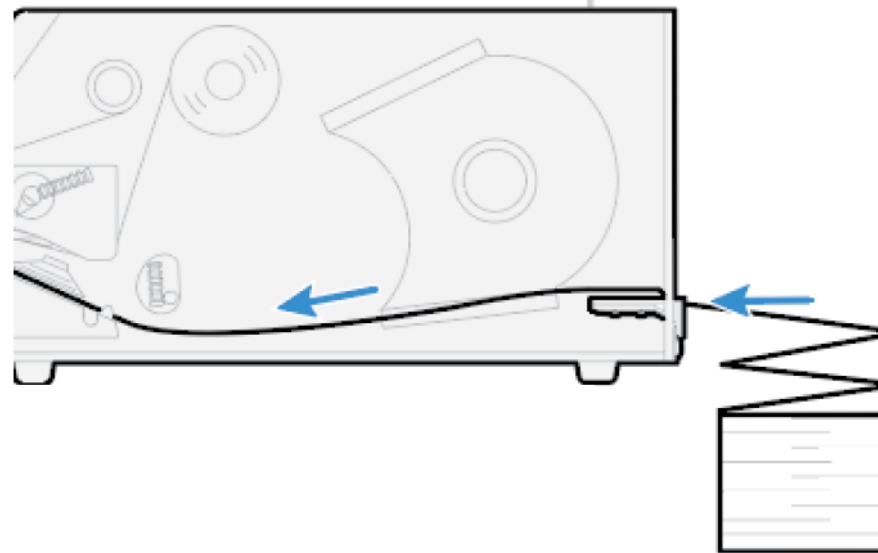
### Fan Fold

The media is stacked outside the rear of the PX940, or the bottom access slot.

Feeding Media Through the Upper Slot

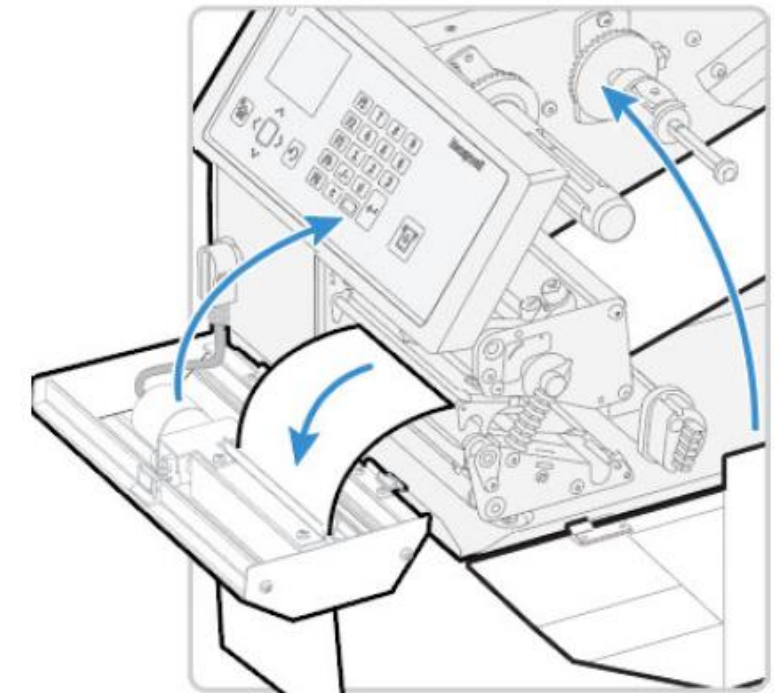


Feeding Media Through the Lower Slot



### Cutter

A cutter can be added to any configuration of PXie, simply cutting between labels, or at intervals on continuous media.





Miscellaneous



AC Cords

Part Number	Description
50117501-001	AC Power Cord, Australia
19-19807	AC Power Cord, China
9000091CABLE	AC Power Cord, Denmark
77900508E	AC Power Cord, Europe
50127245-001	AC Power Cord, India
9000092CABLE	AC Power Cord, Italy
321-500-002	AC Power Cord, Japan
9000093CABLE	AC Power Cord, Switzerland
77900507E	AC Power Cord, United Kingdom
19-19726	AC Power Cord, United States



## Disclaimer

Honeywell International Inc. (“HII”) reserves the right to make changes in specification and other information contained in this document without prior notice, and the reader should in all cases consult HII to determine whether any such changes have been made. The information in this publication does not represent a commitment on the part of HII.

HII shall not be liable for technical or editorial errors or omissions contained herein; nor for incidental or consequential damages resulting the furnishing, performance, or use of this material.

This document contains proprietary information that is protected by copyright. All rights are reserved. No part of this document may be photocopied, reproduced, or translated into another language with-out prior written consent of HII.

Web Address: [www.honeywellaidc.com](http://www.honeywellaidc.com)

The Bluetooth trademarks are owned by Bluetooth SIG, Inc., U.S.A and licensed to Honeywell.

Other product names mentioned in the manual may be trademarks of registered trademarks of their respective companies and are the property of their respective owners.

All rights reserved.