

# 1105

## ENTRY LEVEL SCANNER

Entry  
Level  
Entry  
Level



Auto-Stand



Desk Stand



Wall Stand

- Ergonomic and Light Weight
- Small Size (150mm)
- Reading Distance: from 1.5 cm up to 26 cm
- Ideal for Entry Level Scanning



# 1105 ENTRY LEVEL SCANNER

## Specifications

### Electrical

Voltage	+5V +/- 10%
Power Consumption	
Operation	75 mA
Standby	15 mA

### Environmental

Temperature	0°~50°C (operating) -20°~60°C (storage)
Humidity	10%~90% non-condensing (operating) 0%~95% non-condensing (storage)
Shock Resistance	Withstand multiple drops from 2.0m onto a concrete surface

### Physical

Weight	165g
Housing	ABS and Rubber
Switch	Micro switch
Color	2 Tone Light Grey/Dark Grey
Dimensions	91 x 73 x 146mm (L x W x H)

### Optical

Light Source	Red LED (630nm)
Resolution	Up to 0.125mm (5mil)
PCS (Min.)	0.45
Scanning Engine	100 scans/sec
Ambient Light Rejection	Maximum 2000 lux fluorescent light or 1000 lux sun light

### Safety & Regulatory Approvals

FCC class-A, CE, C-tick
-------------------------

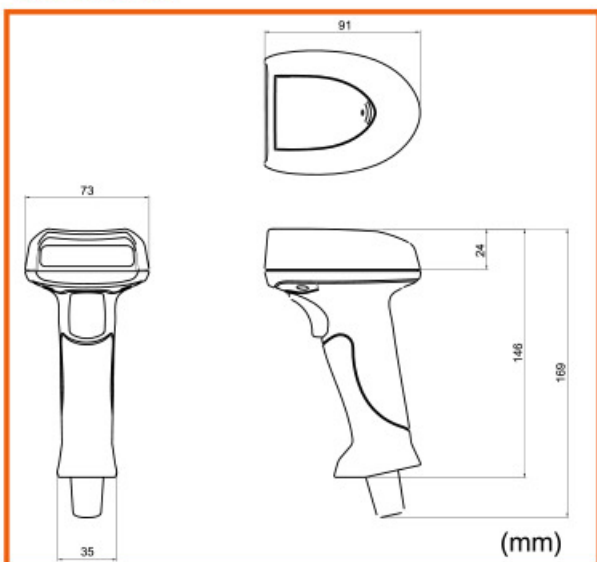
### Warranty

1 Year
--------

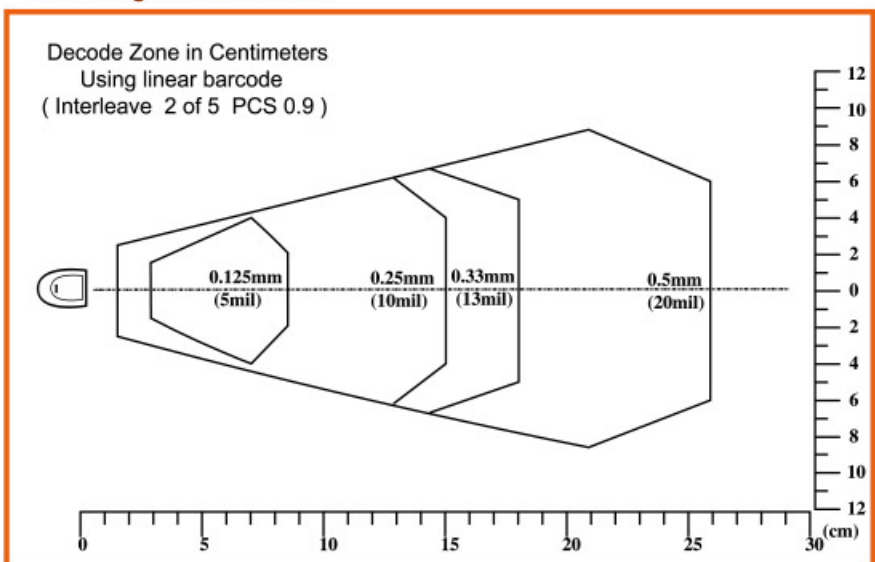
### Features

Keyboard Auto-detection	Built-in keyboard emulator for laptop (phony keyboard included)
CPU	16-bit CMOS, low power consumption
Interface Type	K-B Wedge, RS232, Wand Emulation, USB
Symbology Supported	Code 39/Full ASCII, Codabar, Pharma Code, Industrial 2 of 5, Interleave 2 of 5, Matrix 2 of 5, Code 93, Code 128, EAN 128, MSI, EAN 8&13, UPCA & E, Plessey, RSS14, TELEPEN
Keyboard Interface	IBM PC/XT/AT & compatible, PS2-30, PS-55
Indicator Buzzer	Programmable Tone
LED	Red Color for Good Read; Green Color for Status
Programmable Features	<b>Autosense Mode</b> Code ID, Prefix code, Postfix Code, Length Code, Barcode type. Buzzer frequency, ISBN/ISSN/CLSI/UK Plessey conversion, Keyboard layout, Inter-character delay, Scanning mode, Language type, Time out, Baud rate, Data bit, Transmission mode, Character replacement
Data Editing Mode	Three editing formats are supported. The following conditions can be programmed: code type, data length and location. Data can be divided into 6 Matching string fields. Five additional fields can be programmed for each editing format. User programmable field transmission sequence.
Language Support	English(US), English(UK), French, Italian, Belgian, Norwegian/Swedish, Spanish, Portuguese, German

## Dimensions



## Reading Performance



**Headquarters**  
**Syntech Information Co., Ltd.**  
 5F, No. 196-3, Ta-Tung Road,  
 Sec. 3, Hsi-Chih,  
 Taipei Hsien, Taiwan  
 TEL: +886 2 8647 3300  
 FAX: +886 2 8647 1155  
 www.cipherlab.com.tw

**USA**  
**Syntech West Inc.**  
 3404 57th Street NW Suite B  
 Gig Harbor, WA 98335  
 U.S.A.  
 TEL: +1 253 858 7906  
 FAX: +1 253 858 7713  
 www.cipherlab.com